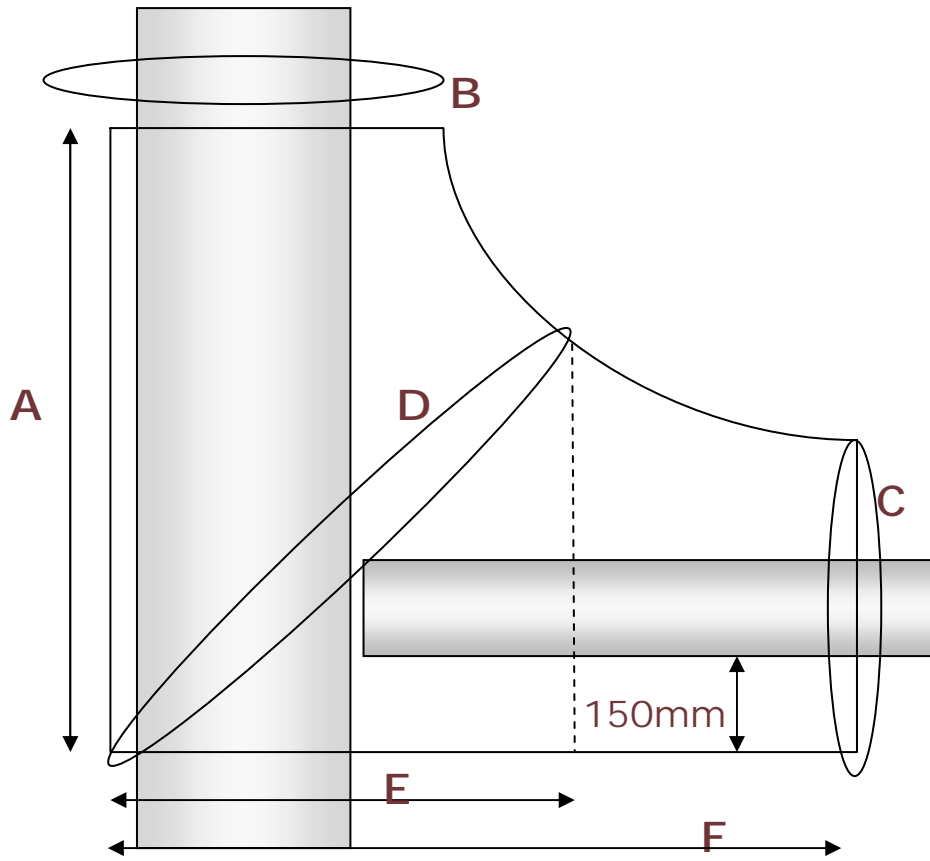


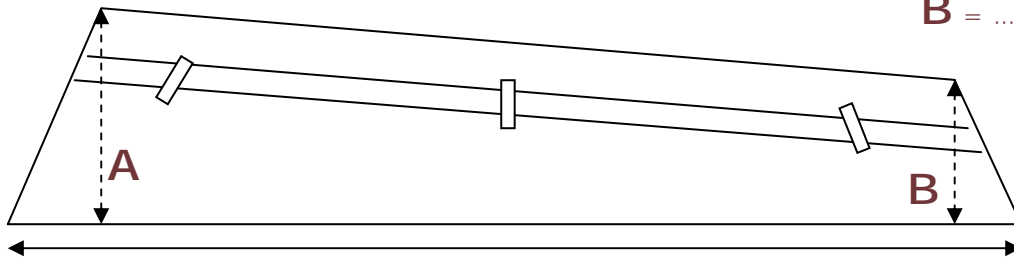
Boat Type.....



A	B	C	D	E	F
Height	Neck circumference	End - taken over top of stackpack to 150mm below boom	Diagonal from corner to corner - approx 45 deg	Distance from front edge to where diag is taken from	Distance from front edge to aft edge.

A = .....

B = .....



E measurement less 6"